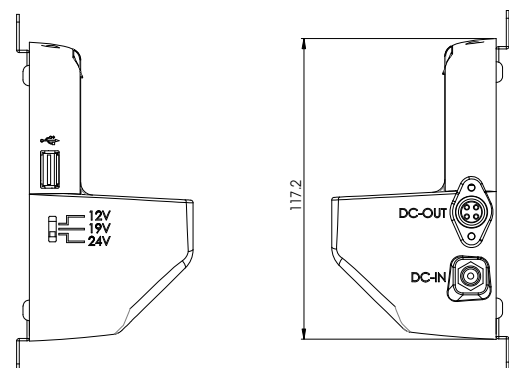
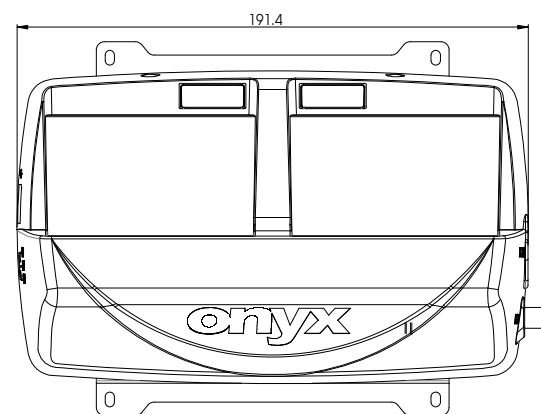
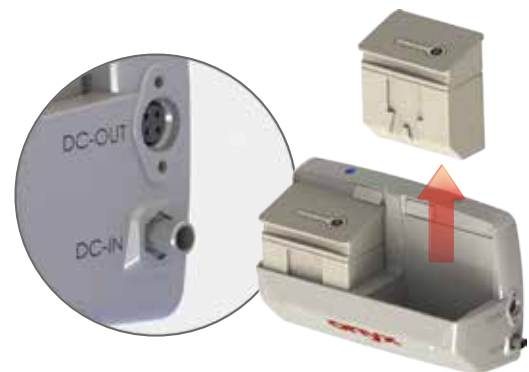


# UPower Lite-22

2 slot Power Bank with DC output



## Features

- External DC output
- Selected voltage (12V / 19V / 24V)
- Non-stop, Dual hot swappable batteries architecture
- Software (ORION) remote monitor
- Capable of charging 2 batteries simultaneously.
- Support wall mount, fitting all nurse stations
- Support cart mount, provide extra power
- Support table stand type, exclusive mini size
- LED indicators, clearly reveal recharge status

## Specifications

### Main Specifications

Input Power	24V/150W
Battery Charge Time	2.5 hrs for 85%, 3.5 hrs for 100%
DC Output Power	12/19/24V 50W
Certification	CE, FCC

### Mechanical and Environmental

Architecture	ABS + PC
Color	White
Dimension	191(L) x 64(W) x 117(H) mm
Net Weight	0.67kg (1.47 lbs)
Packing Size	350(L) x 130(W) x 290(H) mm
Cross Weight	2kg (4.41 lbs)
Operating Temperature	0°C ~ 40°C(32°F ~ 104°F)
Storage Temperature	-20°C ~ 60°C(-4°F ~ 140°F)
Storage Humidity	10%~95%@35°C, non-condensing

### Battery LED Indicator

Blue Lighting	Full Charge (AC mode)
Blue Flashing	Charging (AC mode)
Green Lighting	Capacity 40%~100% (Battery Mode)
Orange Lighting	Capacity 21%~39% (Battery Mode)
Purple Lighting	Capacity 0%~20% (Battery Mode)
Green-Purple Flashing	Charging error

### Power Supply Specification

Input Voltage	100-240V AC @50-60 Hz
Output Power	24V / 6.25A, 150W max

### Battery Pack (optional)

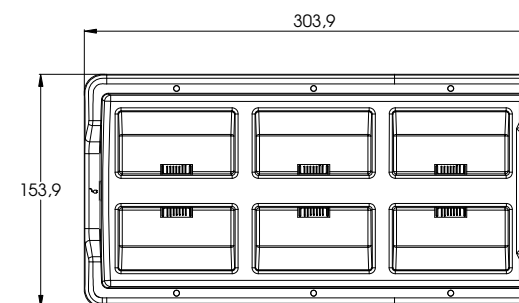
Battery Type	6 Cell Lithium-ion battery
Battery Capacity	5800 / 5700 mAh
Output Voltage	10.8V

## Ordering Information

- » UP-L22-A1-1010  
2-slot Power Bank + 24V/150W adaptor. USB. 12/19/24V DC output

# UPower Lite-62

6 slot Power Bank



## Features

- Software (ORION) remote monitor
- Capable of charging 6 batteries simultaneously
- 6 Independent LED indicators, clearly reveal recharge status
- High-speed recharge and over charge protection

## Specifications

### Main Specifications

Input Power	24V/250W
Battery Charge Time	2.5 hrs for 85%, 3.5 hrs for 100%
DC Output Power	N/A
Certification	CE, FCC

### Mechanical and Environmental

Architecture	ABS + PC
Color	White
Dimension	304(L) x 154(W) x 41(H) mm
Net Weight	1.16kg (2.56 lbs)
Packing Size	410(L) x 110(W) x 290(H) mm
Cross Weight	3kg (6.61 lbs)
Operating Temperature	0°C ~ 40°C(32°F ~ 104°F)
Storage Temperature	-20°C ~ 60°C(-4°F ~ 140°F)
Storage Humidity	10%~95%@35°C, non-condensing

### Battery LED Indicator

Blue Lighting	Full Charge (AC mode)
Blue Flashing	Charging (AC mode)
Green Lighting	N/A
Orange Lighting	N/A
Purple Lighting	N/A
Green-Purple Flashing	N/A

### Power Supply Specification

Input Voltage	100-240V AC @50-60 Hz
Output Power	24V / 10.41A, 250W max

### Battery Pack (optional)

Battery Type	6 Cell Lithium-ion battery
Battery Capacity	5800 / 5700 mAh
Output Voltage	10.8V

## Ordering Information

- » UP-L62-A1-1010  
6-slot Power Bank + 24V/250W adaptor. USB.