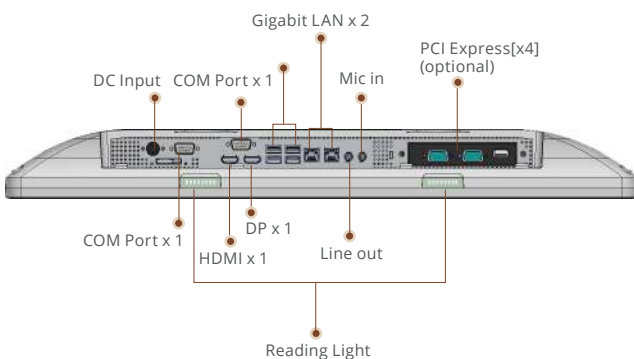
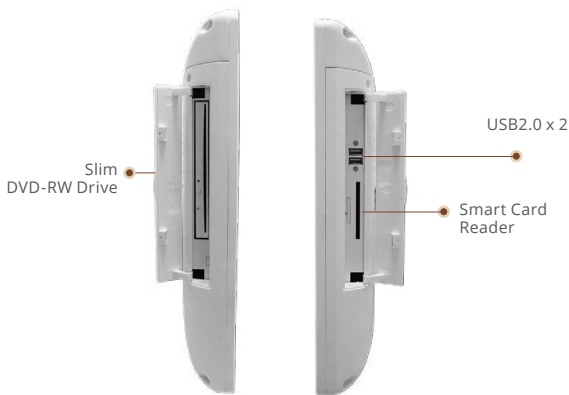
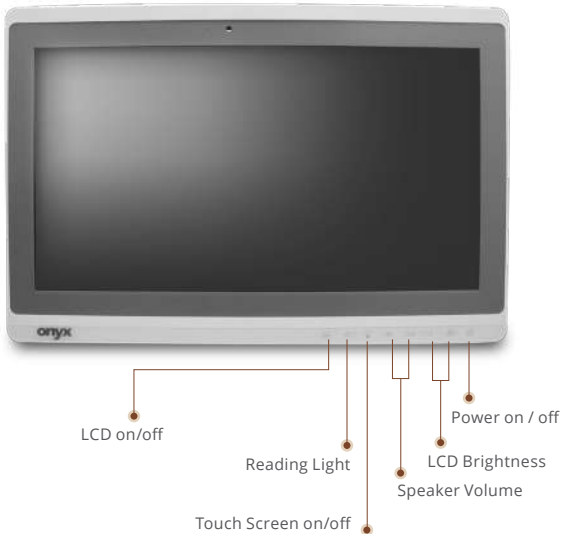


MATE-2405

24" Fanless Core i7 Medical AIO



Features

- Intel® 8th/9th Generation Core™ i7/ i5 / i3 Processor
- Intel® H310 Chipset
- Supports Dual Channel DDR4 2666 SODIMM up to 32GB
- 24" Full HD High Contrast MVA LCD
- 5-Wire Resistive Touch Screen / Capacitive Multi-Touch Screen
- Two Gigabit Ethernet
- High Speed USB 3.0 Ports
- RS-232 x 2
- PCI-Express x [4] x 1 (optional)
- +12V DC Input

Specifications

Main Specifications

Processor	Intel® 8th/ 9th Generation Core i7 / i5 / i3 Processor
System Memory	Supports Dual Channel DDR4 2666 SODIMM up to 32GB
Chipset	Intel® H310
OS Support	Windows® 10, Linux®
Storage Disk Drive	2.5" SATA Hard Disk Drive/SSD x 1 Slim DVD-RW Drive x 1 (optional)
Security	Trusted Platform Module, RFID Reader (optional) Smart Card Reader x 1 (optional)
Wireless Communication	802.11 ac/a/b/g/n(optional), Bluetooth 4.1 / 5 (optional)
Speaker	5W x 2
Function Key	Speaker Volume Up/Down, LCD Brightness Up/Down LCD On/Off, Touch Screen On/Off, Reading Light On/Off
Power Requirement	DC 12V

Display

Size	24" LCD
Resolution	1920 x 1080
Luminance	250 nits
View Angle	178°(H)/178°(V)
Contrast Ratio	3000:1
Back Light Life Time	30,000 Hours
Touch Screen	5-Wire Resistive / Capacitive Multi-Touch

I/O

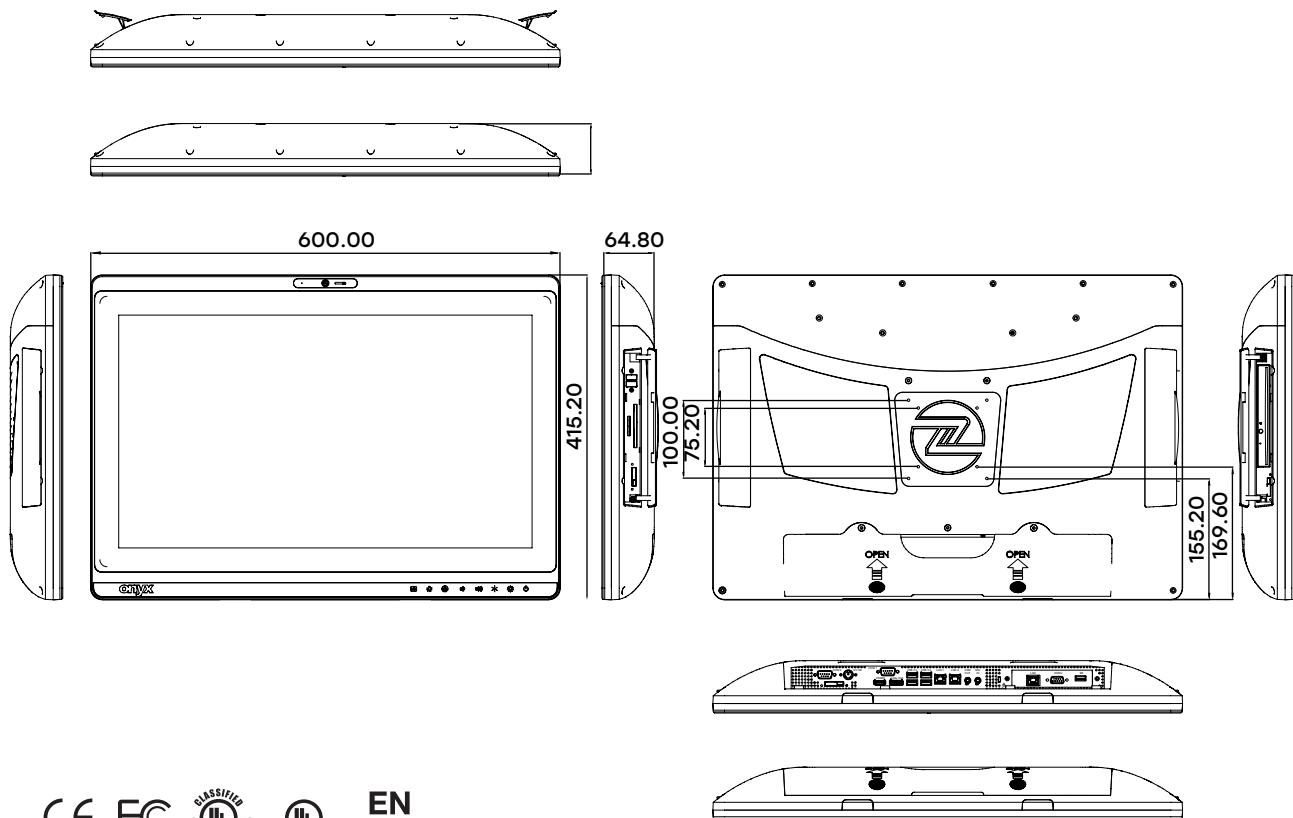
USB	USB 3.0 x 4, USB 2.0 x 2
Serial Port	RS-232 x 2
Ethernet	1.5KV Isolated Gigabit LAN x 2
Video Out	Display Port x1, HDMI x 1 (Supports resolution up to 3840 x 2160)
Audio	Mic-in, Line-out

Mechanical and Environmental

Operating Temperature	0°C ~ 35°C(32°F ~ 95°F)
Storage Temperature	-20°C ~ 60°C(-4°F ~ 140°F)
Mounting VESA	75/100 mm
Degree of Protection	IP65 in the front ; IP54 in the back
Dimension	600 x 415 x 65mm
Package Size	790 x 220 x 550mm
Gross Weight	14 kg (30.86 lb)
Net Weight	9.2 kg(20.28 lb)
Certifications	CE: EN 60601-1-2:2015(V4.0), EN 60601-1:2006/A1:2013(V3.1) FCC: Part 18 Class B UL: ANSI/AAMI ES60601-1:2012 (V3.1) cUL: CAN/CSA-C22.2 No. 60601-1:2014 (V3.1)

24" Fanless Core i7 Medical AIO

Dimension / Unit: mm



Ordering Information

- » MATE-2405-P1-A1-0010
Medical Panel PC, 24" LCD, i7-8700T, DC 12V, Capacitive Touch
- » MATE-2405-P2-A1-0010
Medical Panel PC, 24" LCD, i7-9700TE, DC 12V, Capacitive Touch
- » MATE-2405-P3-A1-0010
Medical Panel PC, 24" LCD, i5-8500T, DC 12V, Capacitive Touch
- » MATE-2405-P4-A1-0010
Medical Panel PC, 24" LCD, i5-9500TE, DC 12V, Capacitive Touch
- » MATE-2405-R1-A1-0010
Medical Panel PC, 24" LCD, i7-8700T, DC 12V, Resistive Touch
- » MATE-2405-R2-A1-0010
Medical Panel PC, 24" LCD, i7-9700TE, DC 12V, Resistive Touch
- » MATE-2405-R3-A1-0010
Medical Panel PC, 24" LCD, i5-8500T, DC 12V, Resistive Touch
- » MATE-2405-R4-A1-0010
Medical Panel PC, 24" LCD, i5-9500TE, DC 12V, Resistive Touch

Optional Accessories

- » 1255301205
Medical Power Adapter, 120W, 12V
- » OPM-R03X-A1
PCI Express[x1] Riser Kit
- » OPM-R04X-A1
PCI Express[x4] Riser Kit
- » OPM-C12W-A6
WLAN Kit, IEEE 802.11a/b/g/n/ac + Bluetooth 4.1
- » OPM-C15W-A6
WLAN Kit, IEEE 802.11a/b/g/n/ac + Bluetooth 5
- » OPM-T006-A2
Smart Card Reader Kit
- » OPM-T013-A2
Slim Slot-in DVD-RW Drive
- » OPM-C02C-A1
Two Isolated RS-232 & One Isolated USB 2.0 PCIe Card
- » OPM-C02C-A2
Two Isolated RS-232 PCIe Card
- » OPM-C03C-A1
One Isolated Gigabit LAN & One Isolated RS-232 & One Isolated USB 2.0 PCIe Card
- » OPM-T017-A6
Hot Swap Rack w/Lock Kit for 2.5" HDD/SSD