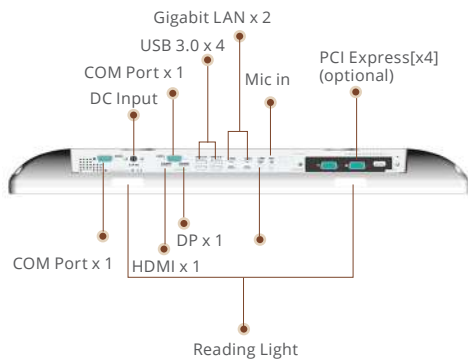
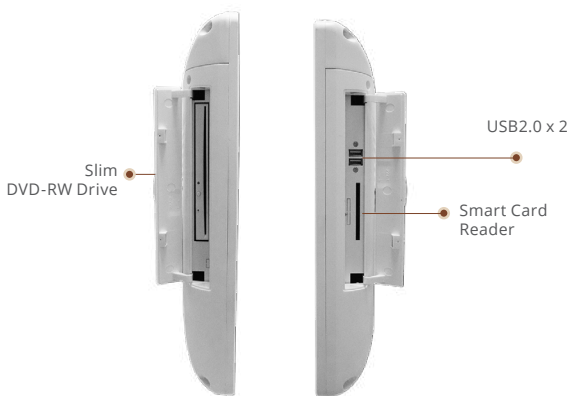
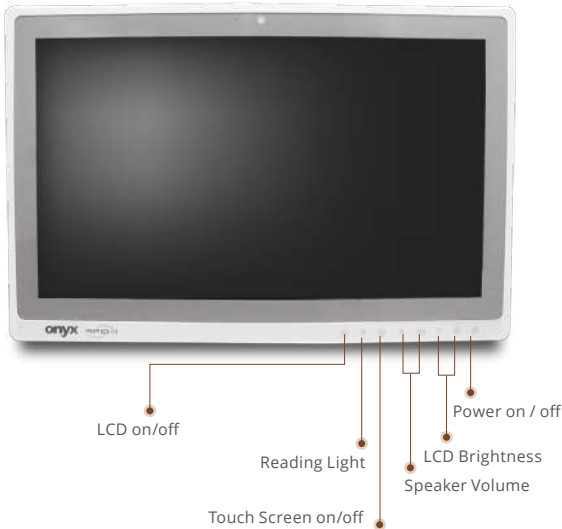


## Medical AIO Solution

# MATE-2205

22" Fanless Core i7 Medical AIO



## Features

- Intel® 8th/9th Generation Core™ i7/ i5 / i3 Processor
- Intel® H310 Chipset
- Supports Dual Channel DDR4 2666 SODIMM up to 32GB
- 22" Full HD High Contrast MVA LCD
- 5-Wire Resistive Touch Screen / Capacitive Multi-Touch Screen
- Two Gigabit Ethernet
- High Speed USB 3.0 Ports
- RS-232 x 2
- PCI-Express [x4] x 1 (optional)
- +12V DC Input

## Specifications

### Main Specifications

Processor	Intel® 8th/9th Generation Core i7 / i5 / i3 Processor
System Memory	Supports Dual Channel DDR4 2666 SODIMM up to 32GB
Chipset	Intel® H310
OS Support	Windows® 10, Linux®
Storage Disk Drive	2.5" SATA Hard Disk Drive/SSD x 1 Slim DVD-RW Drive x 1 (optional)
Security	Trusted Platform Module, RFID Reader (optional) Smart Card Reader x 1 (optional)
Wireless Communication	802.11 ac/a/b/g/n(optional), Bluetooth 4.1 / 5(optional)
Speaker	5W x 2
Function Key	Speaker Volume Up/Down, LCD Brightness Up/Down LCD On/Off, Touch Screen On/Off, Reading Light On/Off
Power Requirement	DC 12V

### Display

Size / Type	22" MVA LCD
Max. Resolution	1920 x 1080
Luminance(cd/m2)(TYP)	250 nits
Viewing Angle	178°(H)/178°(V)
Contrast Ratio	3000:1
Back Light Life Time	30,000 Hours
Touch Screen	5-Wire Resistive / Capacitive Multi-Touch

### I/O

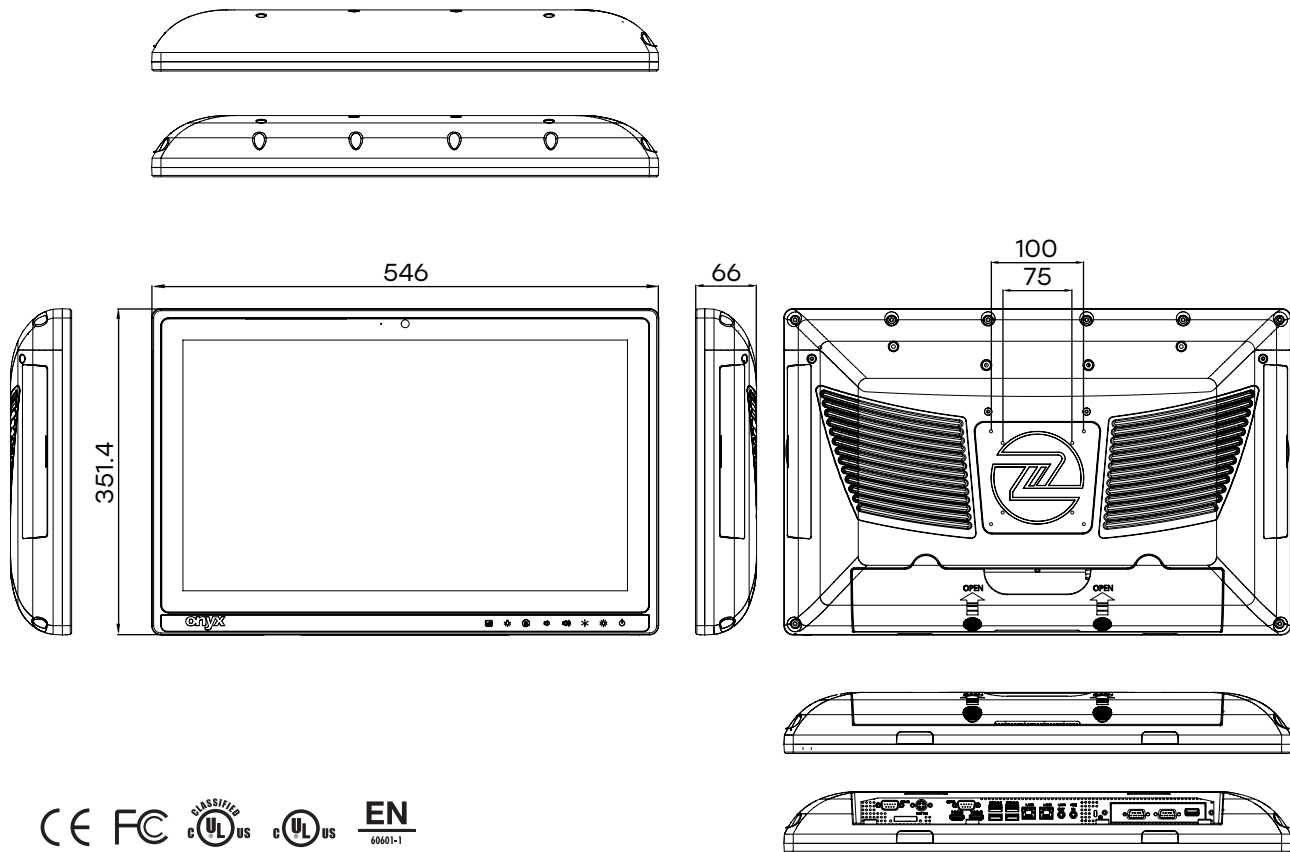
USB	USB 3.0 x 4, USB 2.0 x 2
Serial Port	RS-232 x 2
Ethernet	1.5KV Isolated Gigabit LAN x 2
Video Out	Display Port x1, HDMI x 1 (Supports resolution up to 3840 x 2160)
Audio	Mic-in, Line-out

### Mechanical and Environmental

Operating Temperature	0°C ~ 35°C(32°F ~ 95°F)
Storage Temperature	-20°C ~ 60°C(-4°F ~ 140°F)
Mounting VESA	75/100 mm
Degree of Protection	IP65 in the front ; IP54 in the back
Dimension	546 x 352 x 66mm
Package Size	750 x 220 x 490 mm
Gross Weight	12 kg (26.45 lb)
Net Weight	8 kg (17.63 lb)
Certifications	CE: EN 60601-1-2:2015(V4.0), EN 60601-1:2006/A1:2013(V3.1) FCC: Part 18 Class B UL: ANSI/AAMI ES60601-1:2012 (V3.1) cUL: CAN/CSA-C22.2 No. 60601-1:2014 (V3.1)

## 22" Fanless Core i7 Medical AIO

## Dimension / Unit: mm



## Ordering Information

- |  |   |
|--|---|
| » MATE-2205-P1-A1-0010<br>Medical Panel PC, 22" LCD, i7-8700T, DC 12V, Capacitive Touch  | » MATE-2205-R1-A1-0010<br>Medical Panel PC, 22" LCD, i7-8700T, DC 12V, Resistive Touch  |
| » MATE-2205-P2-A1-0010<br>Medical Panel PC, 22" LCD, i7-9700TE, DC 12V, Capacitive Touch | » MATE-2205-R2-A1-0010<br>Medical Panel PC, 22" LCD, i7-9700TE, DC 12V, Resistive Touch |
| » MATE-2205-P3-A1-0010<br>Medical Panel PC, 22" LCD, i5-8500T, DC 12V, Capacitive Touch  | » MATE-2205-R3-A1-0010<br>Medical Panel PC, 22" LCD, i5-8500T, DC 12V, Resistive Touch  |
| » MATE-2205-P4-A1-0010<br>Medical Panel PC, 22" LCD, i5-9500TE, DC 12V, Capacitive Touch | » MATE-2205-R4-A1-0010<br>Medical Panel PC, 22" LCD, i5-9500TE, DC 12V, Resistive Touch |

## Optional Accessories

- |  |   |
|--|---|
| » 1255301205<br>Medical Power Adapter, 120W, 12V                 | » OPM-T013-A1<br>Slim Slot-in DVD-RW Drive  |
| » OPM-R03X-A1<br>PCI Express[x1] Riser Kit                       | » OPM-C03C-A1<br>One Isolated Gigabit LAN & One Isolated RS-232 &<br>One Isolated USB 2.0 PCIe Card |
| » OPM-R04X-A1<br>PCI Express[x4] Riser Kit                       | » OPM-T017-A2<br>Hot Swap Rack w/Lock Kit for 2.5" HDD/SSD  |
| » OPM-C12W-A6<br>WLAN Kit, IEEE 802.11a/b/g/n/ac + Bluetooth 4.1 |   |
| » OPM-C15W-A6<br>WLAN Kit, IEEE 802.11a/b/g/n/ac + Bluetooth 5   |   |
| » OPM-T006-A2<br>Smart Card Reader Kit                           |   |